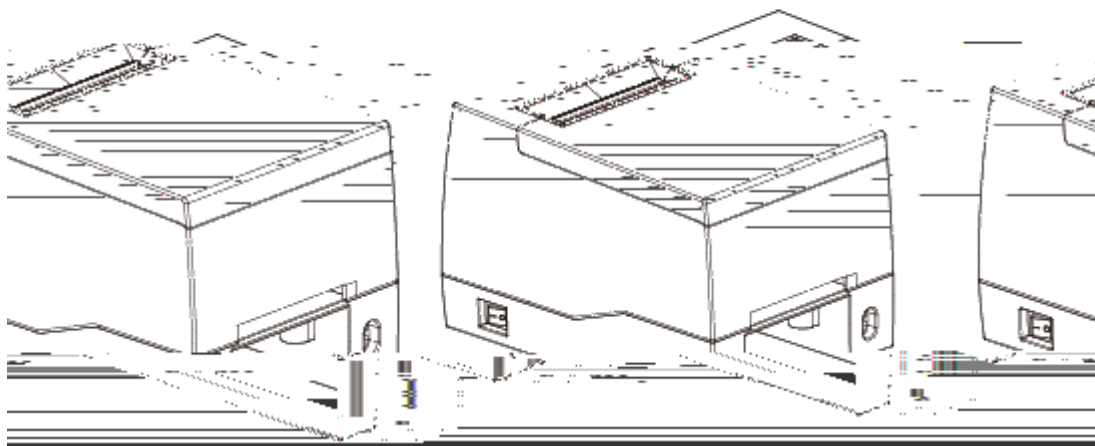


---

DL-886AW

DL-886BW



---

	.....	1
	.....	2
1	.....	5
1.1	.....	5
1.2	.....	6
1.3	.....	7
2	.....	9
3	.....	11
3.1	.....	11
3.2	.....	14
3.3	.....	15
3.4	.....	16
3.5	.....	18
3.5.1	/ .....	18
3.5.2	.....	18
3.5.3	.....	19
3.5.4	.....	20
4	.....	21
5	.....	22
5.1	.....	22
5.2	.....	22
1:	.....	23

---



1.



2.



1

2

3

4

5



1

2

3

4

5

6

•

•

•

•

•

•

•

•

•

3.



4.WEEE( )

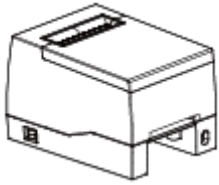
# 1

## 1.1

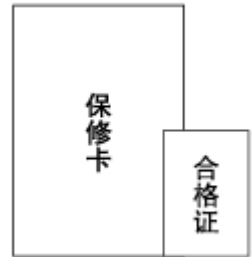
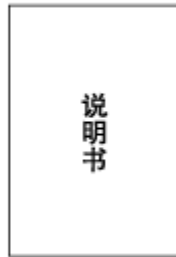


1

2

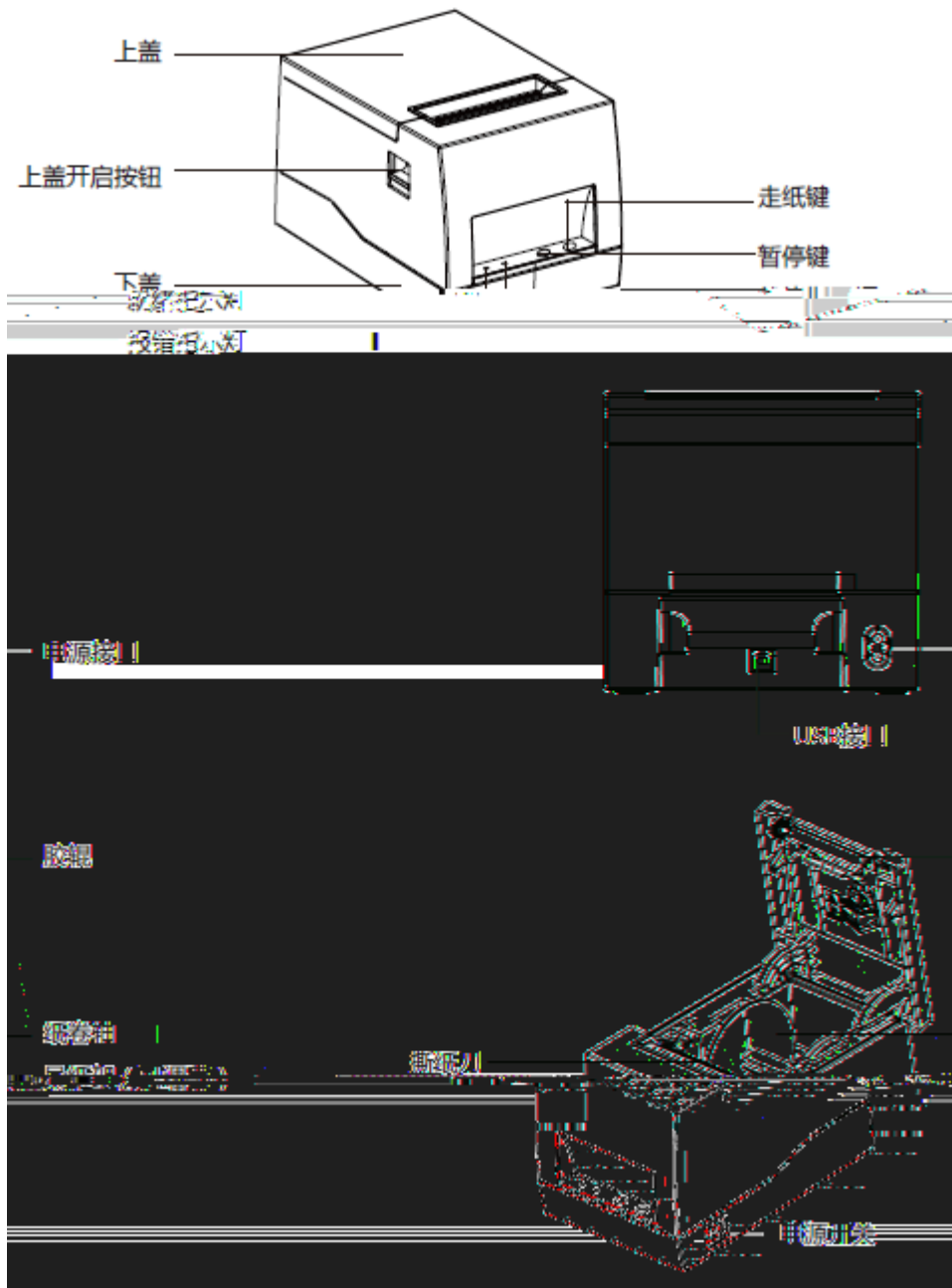


USB



+

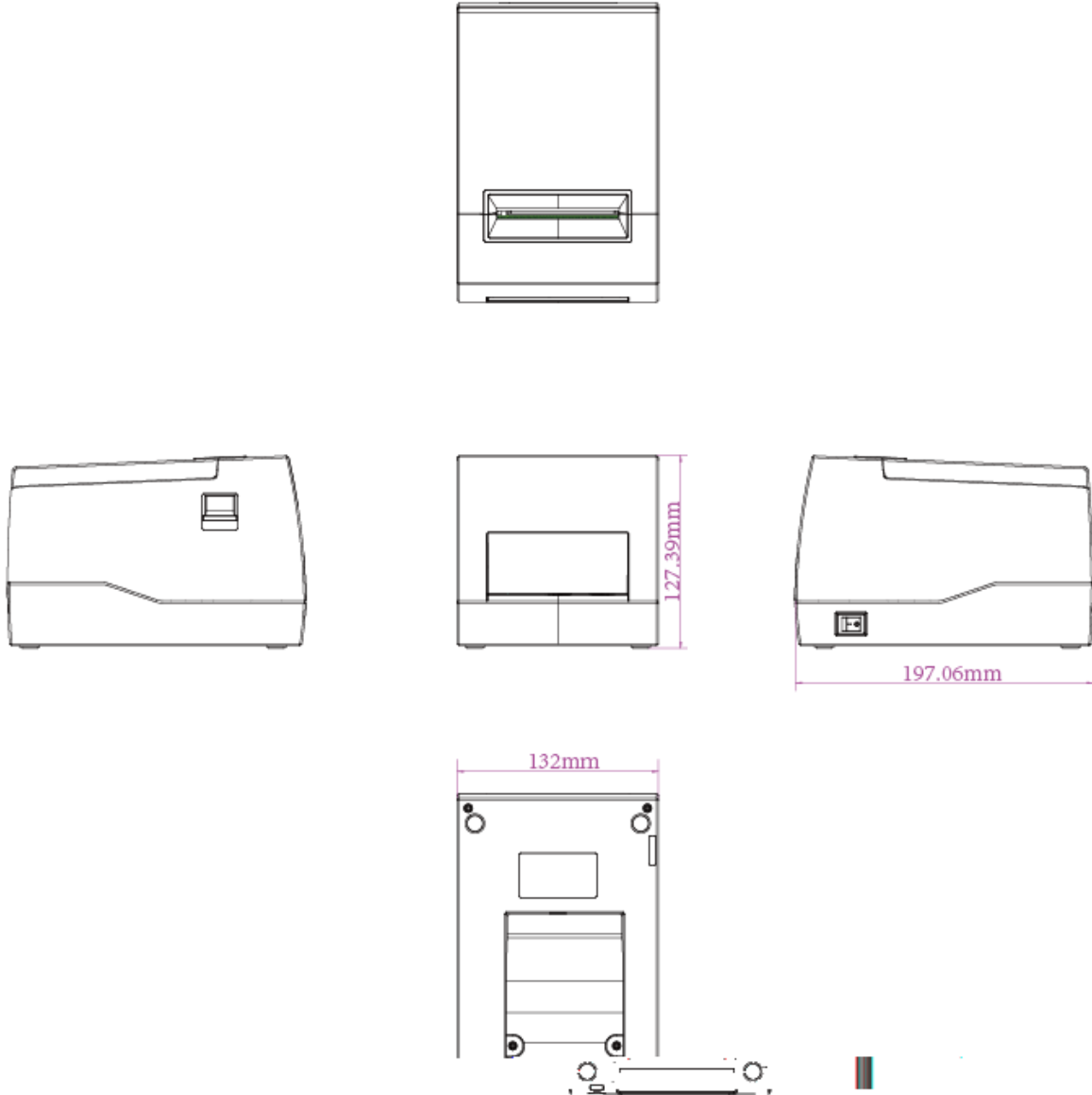
# 1.2



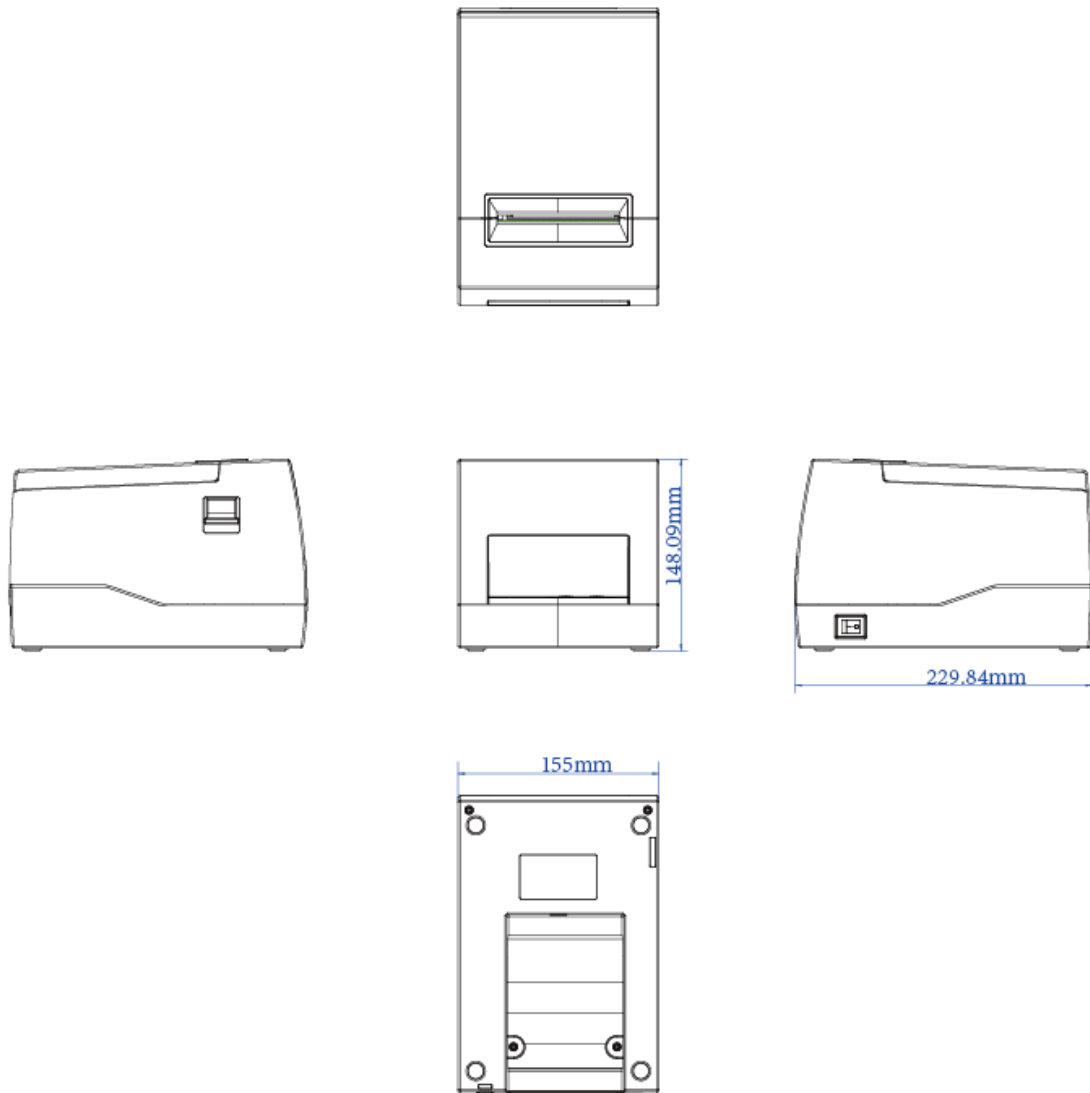


# 1.3

DL-886AW



DL-886BW





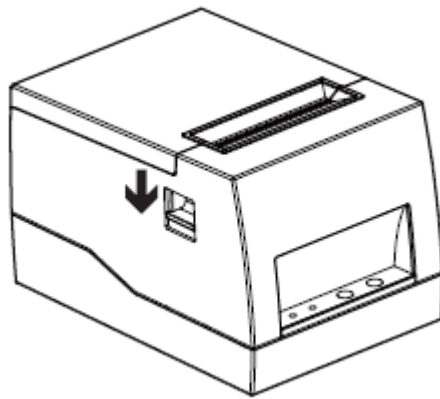
(2/2)

		DL-886AW	DL-886BW
		ASCII 8x16, 12x24 16x16, 24x24	
		DOS437 GB18030	
		Code 39, Code 93, EAN 8/13 (add on 2 & 5), UPC A/E	
		QR code	
		USB	
		100 ~240 50/60 0.6	
		12 2	
		41 - 104 (5 -40 ), 30% - 85%	
		-4 - 122 (-20 -50 ), 10% - 50%	
	( * * )	197.06( )*132( )*127.39( )	229.84( )*155( )*148.09( )
		805 ,	880 ,
		CCC	

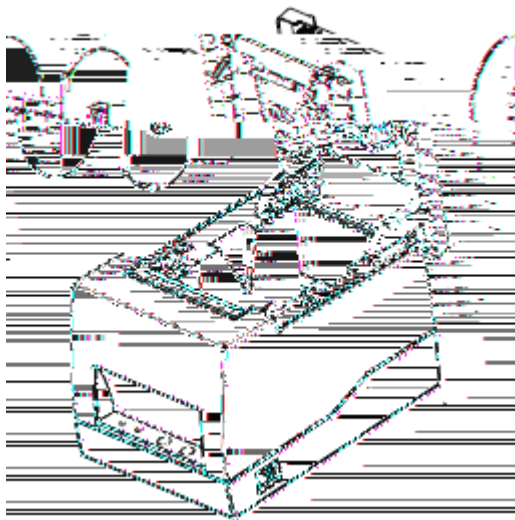
# 3

## 3.1

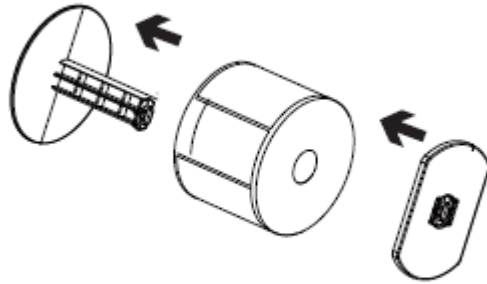
1.



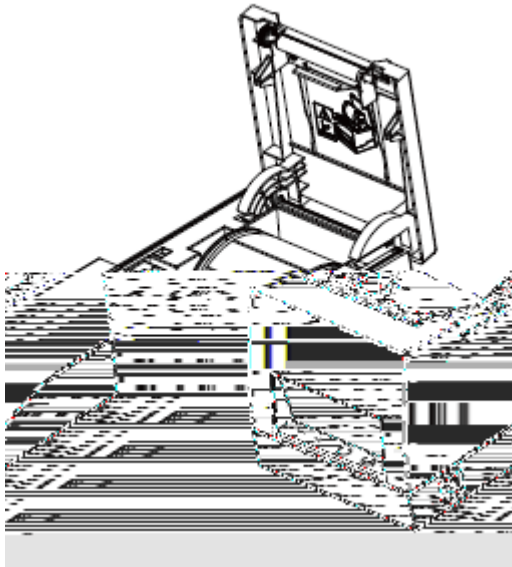
2.



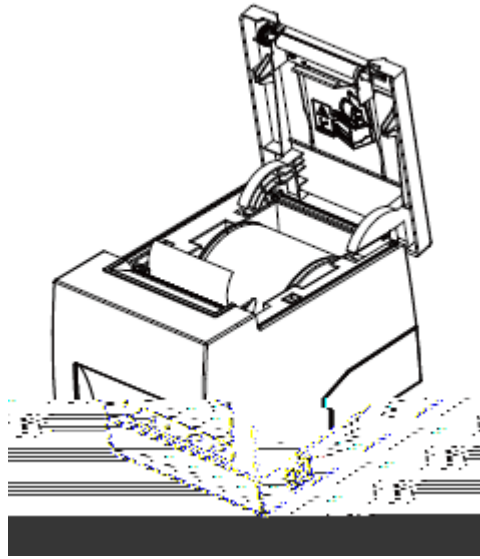
3.



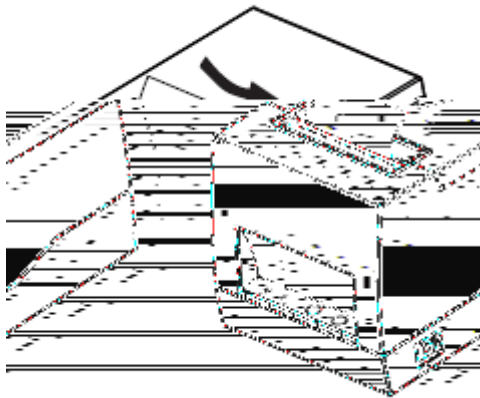
4.



5.



6.

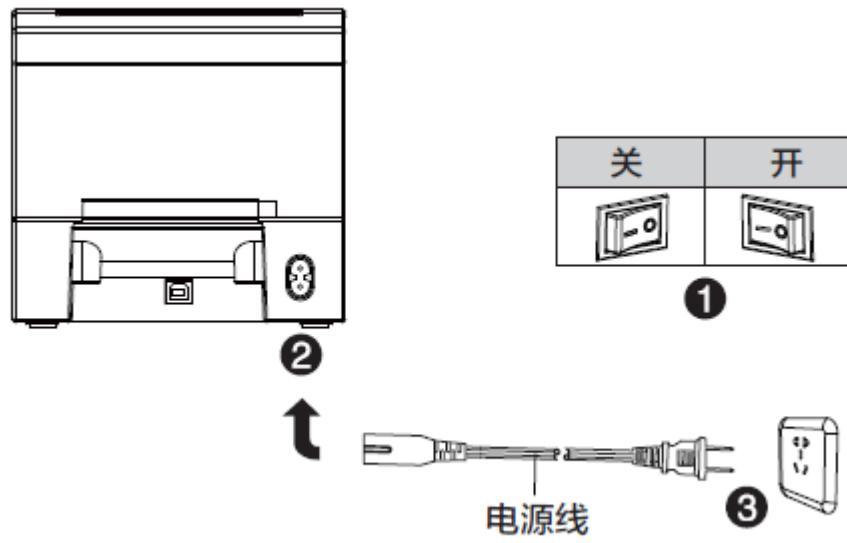


## 3.2

1. ○

2.

3.



•

•

•

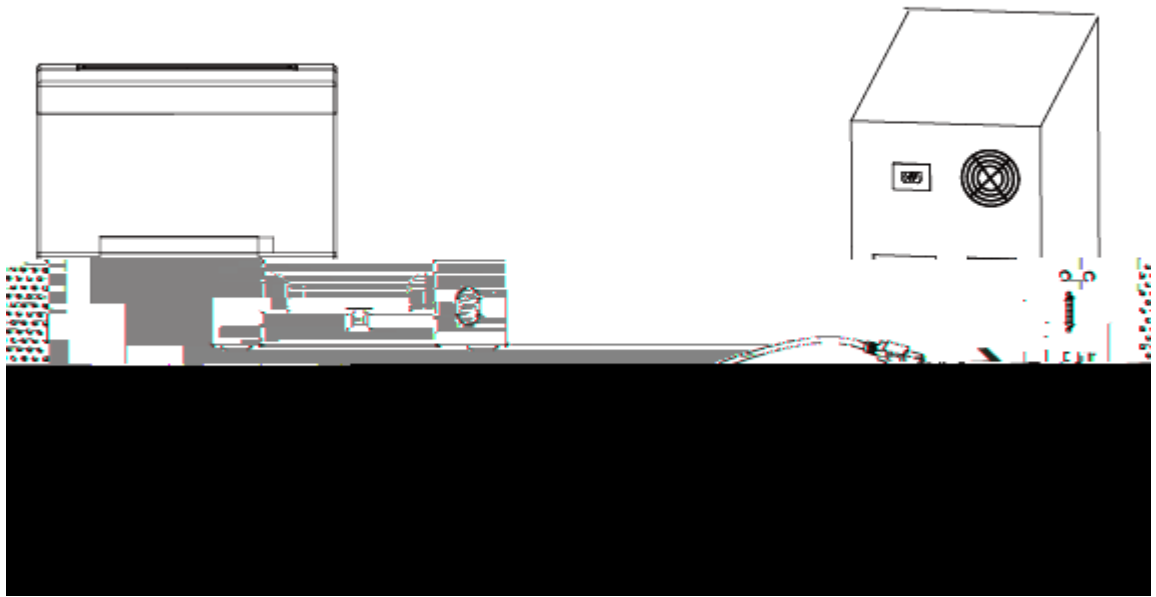
:

80mm



### 3.3

-- USB B-Type



1 (O)

2

-- USB USB B-Type

## 3.4





:

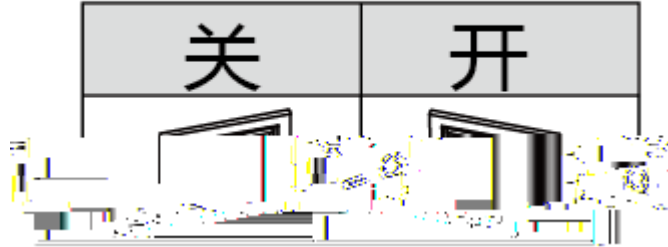
		X	X	
		X	X	
		X	X	
x	X			
				/ / /

## 3.5

### 3.5.1 /

" O "

" \_ "



### 3.5.2



### 3.5.4

1.



2.

2

3





# 5



:

1

2

2~3

3

4

## 5.1

1

2

1 2

## 5.2

1

2

3

4

1 2





1:

1

--

Pb

Hg

Cd

Cr VI

PBB

PBDE

|