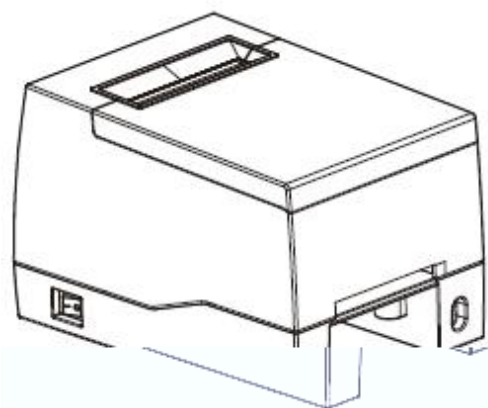
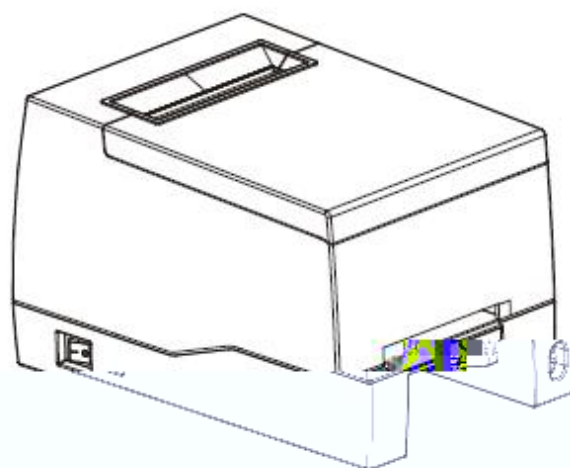


---

**DL-886A**



**DL-886B**



---

1

1.1

1.2

1.3

2

3

3.1

3.2

3.3

3.4

3.5

3.5.1 /

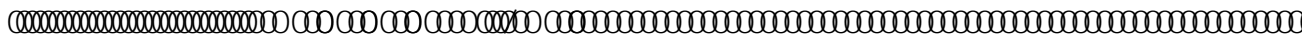
3.5.2

3.5.3

3.5.4

4

⊙



---

×

1.Windows

Windows

2.

---

---

1.



2.



1

2

3

4

5

---



1

2

3

4

5

6

•

•

•

•

•

•

•

•

•

---

---

---

3.



4. WEEE ( )



---

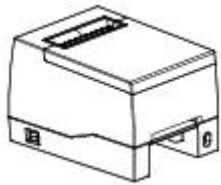
1

1.1

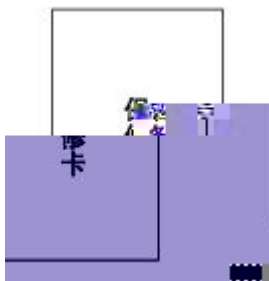
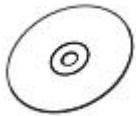


1

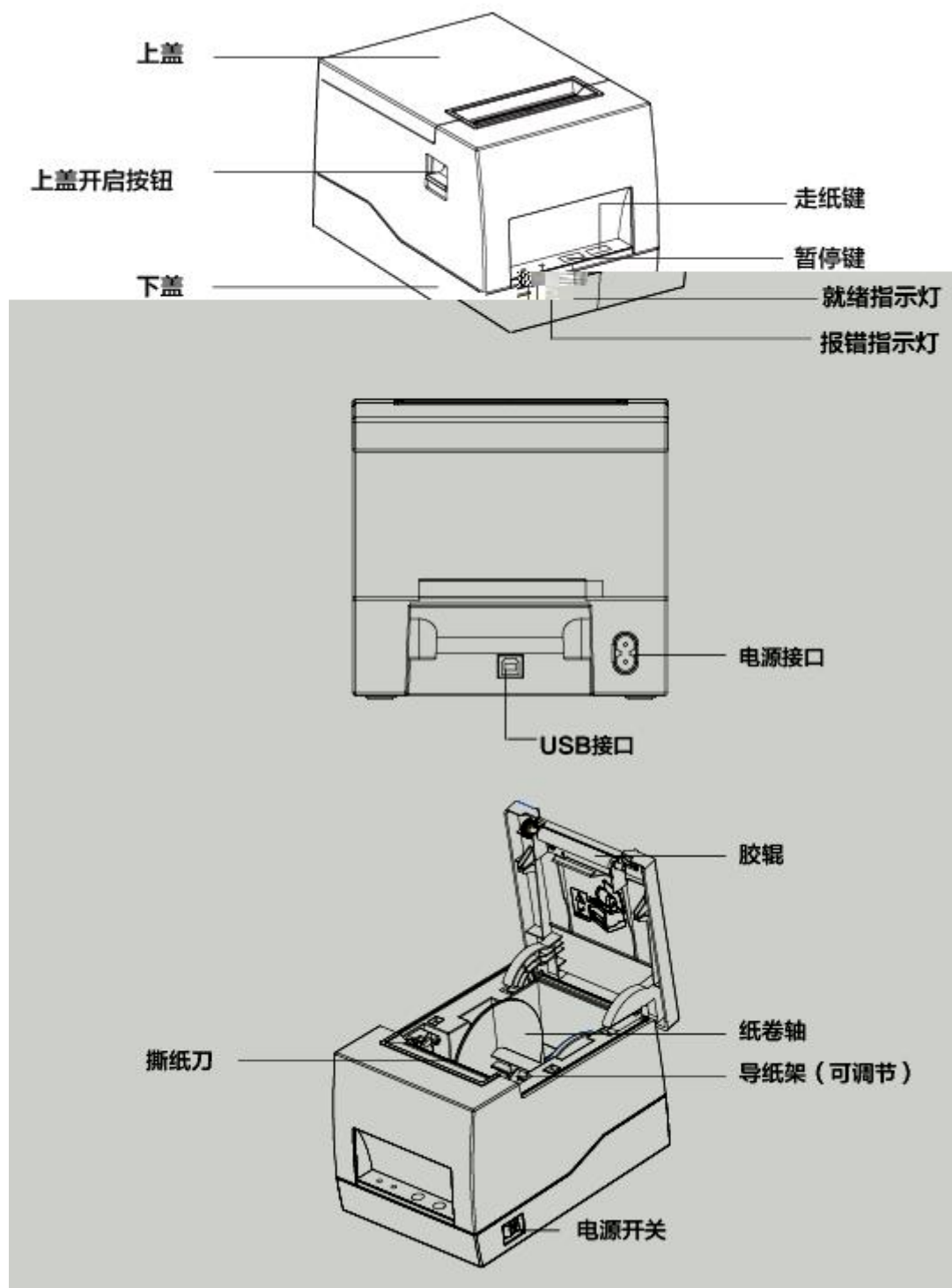
2



USB

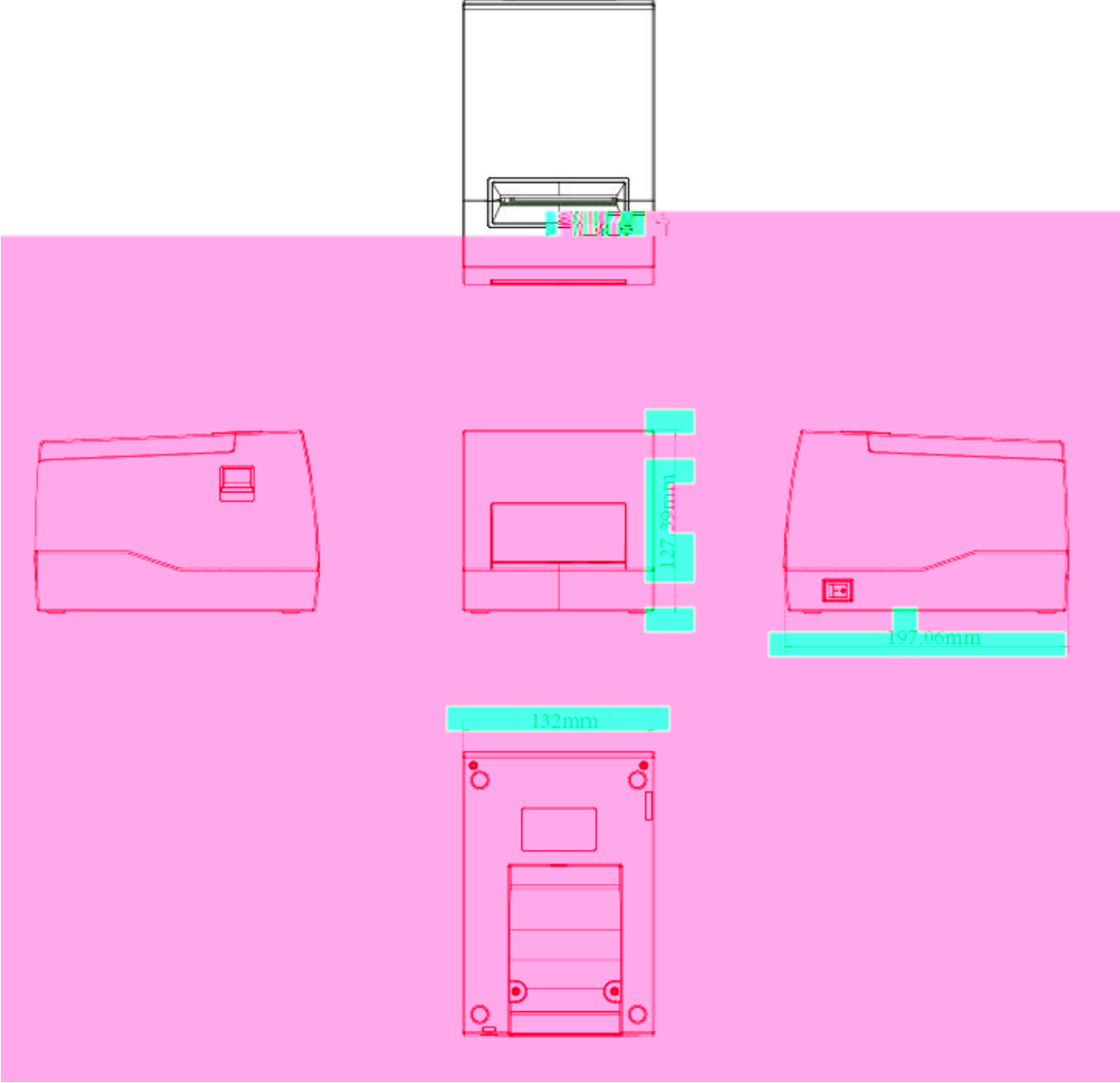


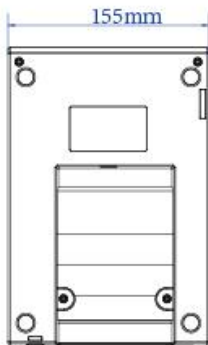
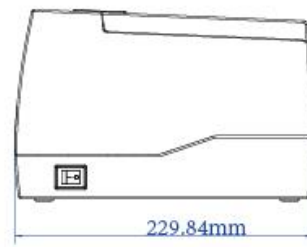
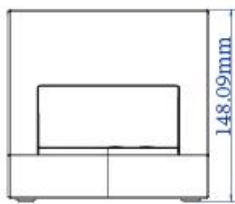
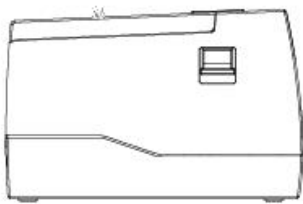
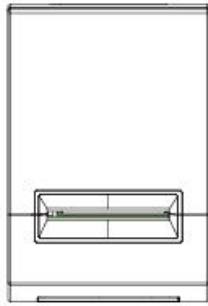
## 1.2





1.3





		DL - 886A	DL - 886B
		203 / ( 8 / )	
		50/76/102 /	
		56	72
		400	300
		32 RISC CPU	
	RAM	2MB	
		2MB	
		1 (25.4 ) - 2.44 (60 )	1 (25.4 ) - 3.35 (80 )
		0.003 (60 ) - 0.007 (180 )	
		90	105
		1 (25.4 ),1.5 (38.1 )	
		TSPL	
		Deli Bartender Ultralite	
		Windows 2000,Vista7,8,10	
		ASCII 9x16, 12x24 16x16, 24x24	

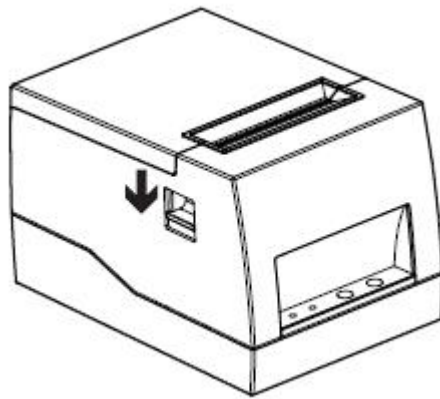
		DL - 886A		DL - 886B	
				DOS 437	
		Code 39, Code 93, EAN 8/13 (add on 2 & 5), UPC A/E			
		QR code			
		USB			
		100	~240	50/60	0.6
		12 2			
		41 - 104 (5 - 40 ), 30% - 85%			
		- 4 - 122 (- 20 - 50 ), 10% - 50%			
	( * * )	182.5( )*134( )*120.6( )		210( )*154( )*135( )	
		805 ,		880 ,	
		CCC			

---

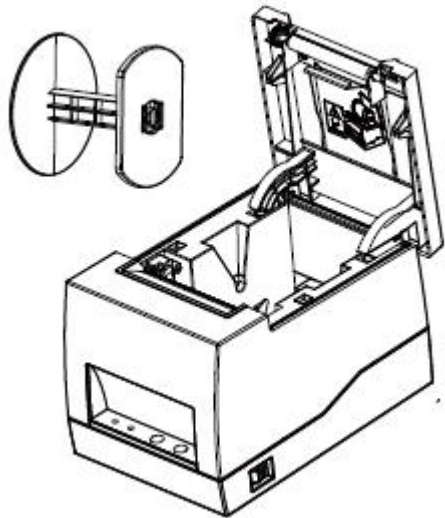
# 3

## 3.1

1.

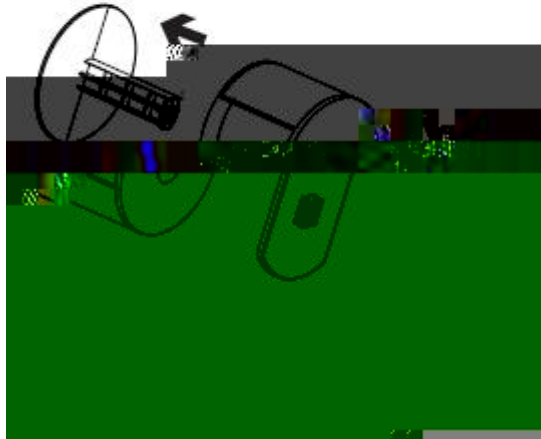


2.

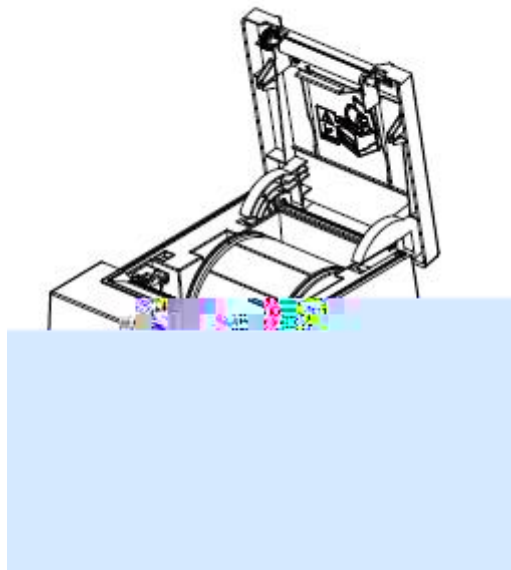


---

3.

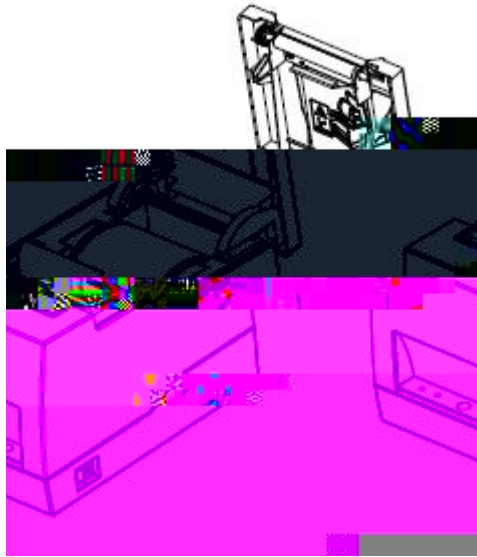


4.

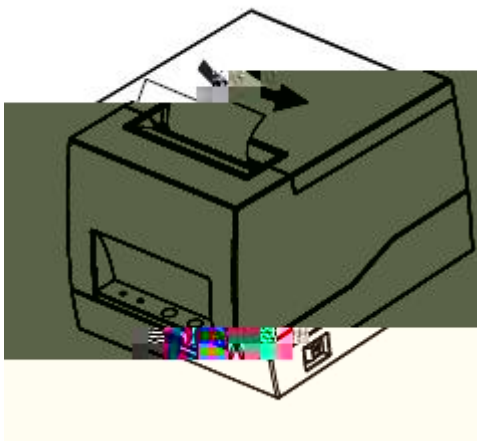


---

5.



6.



---

3.2

1.

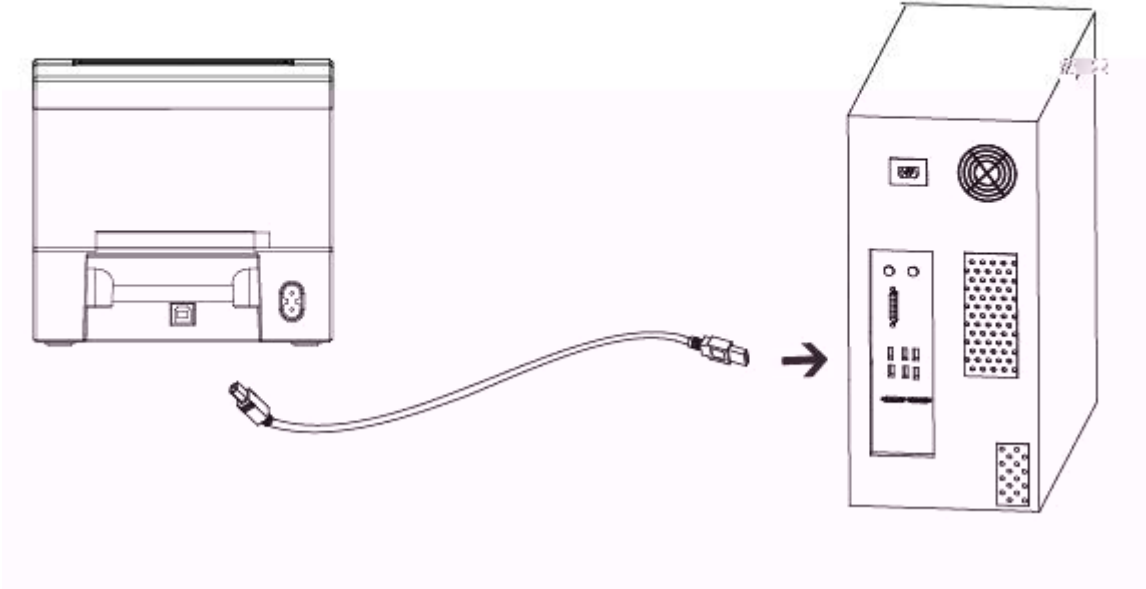
---



---

3.3

-- USB B- Type



1 (O)

2

-- USB USB B- Type

---

## 3.4

- 

- 

- 

- 1.

- 2.

- 

---



:

		X	X	
		X	X	
		X	X	
X	X			
				/ / /



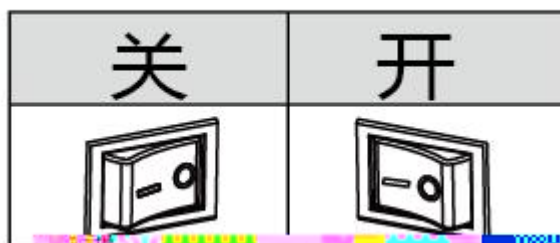
---

## 3.5

### 3.5.1 /

" 0 "

" \_ "



### 3.5.2

---

### 3.5.3

1.

1)

---

### 3.5.4

1.



2.

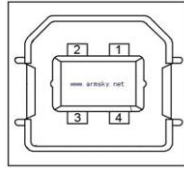
2

3



---

# 4



1	VBUS
2	D -
3	D +
4	GND

5



:

1

2

2~3

3

4

5.1

1

2

1 2

5.2

1

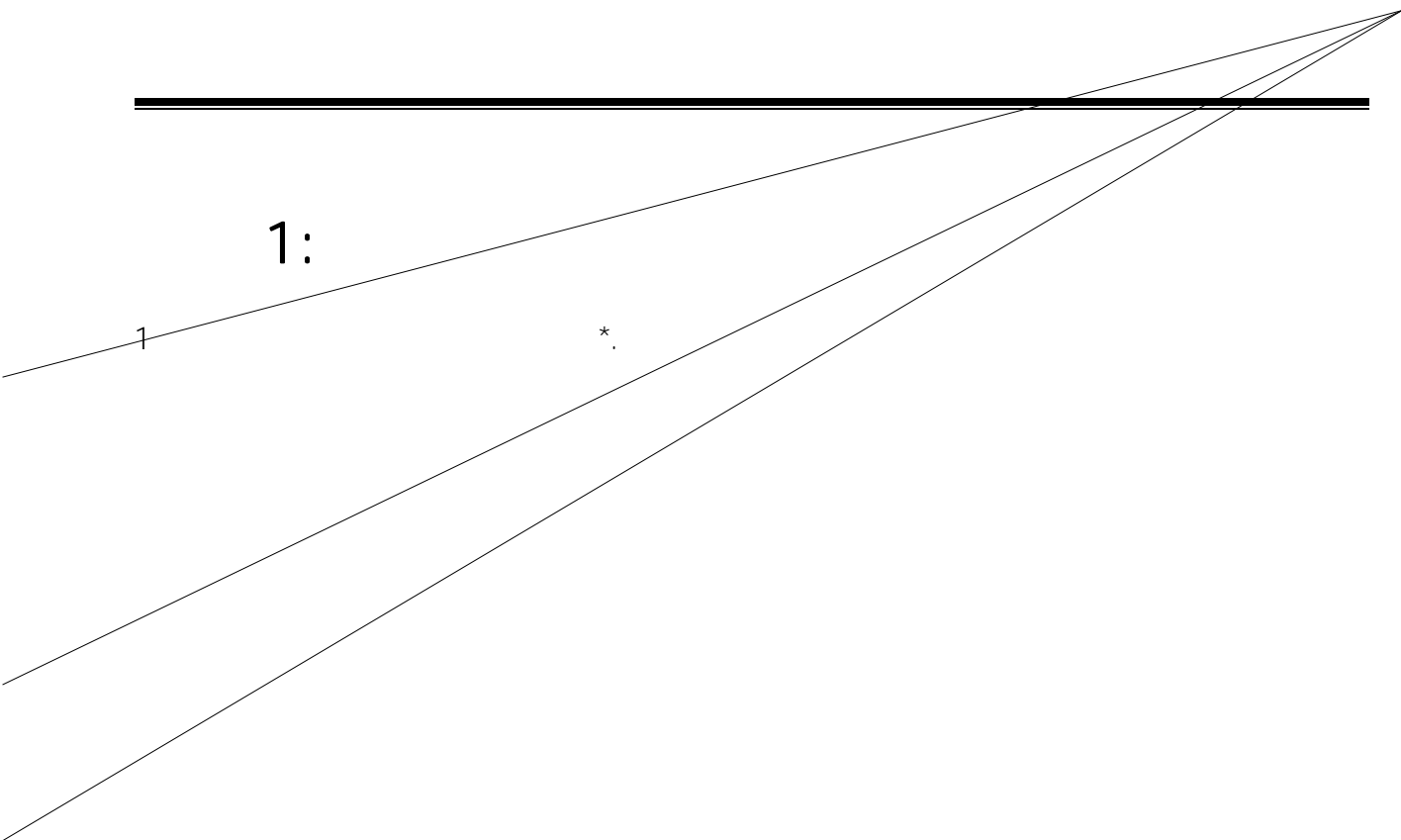
2

3

4

1 2





1

1:

\*

