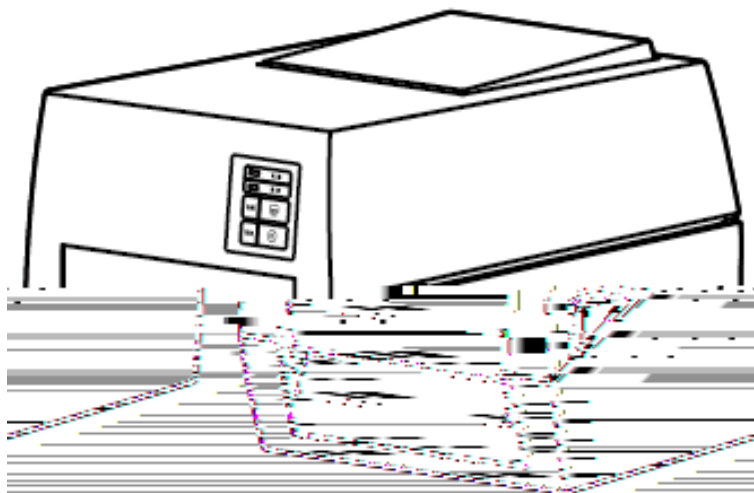

DL-820T



	1
	2
1	6
1.1	6
1.2	7
1.3	9
2	10
3		

侦

) a o

Windows

单

3

•

4

•

5

•



1

2

3

4

•

5

•

6

•

•

•

•

•

•

•

•

•



, !

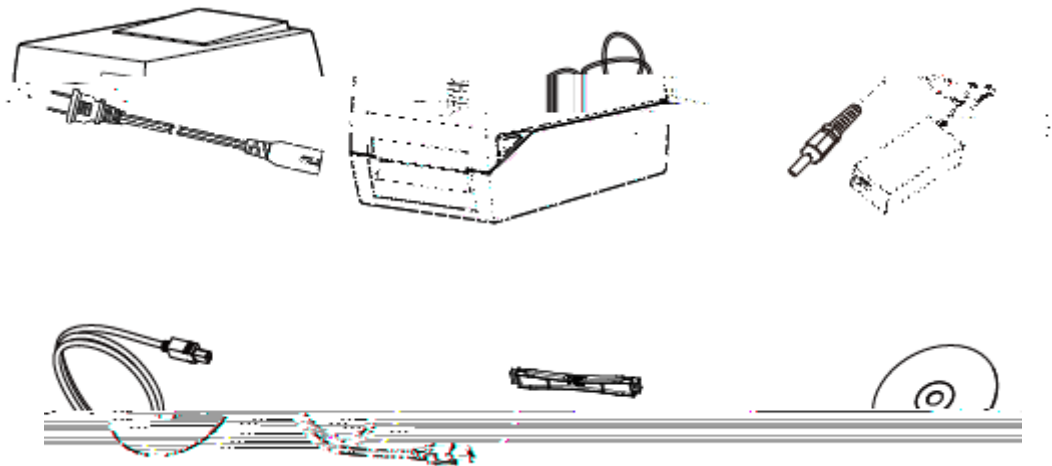


)

))



1-1

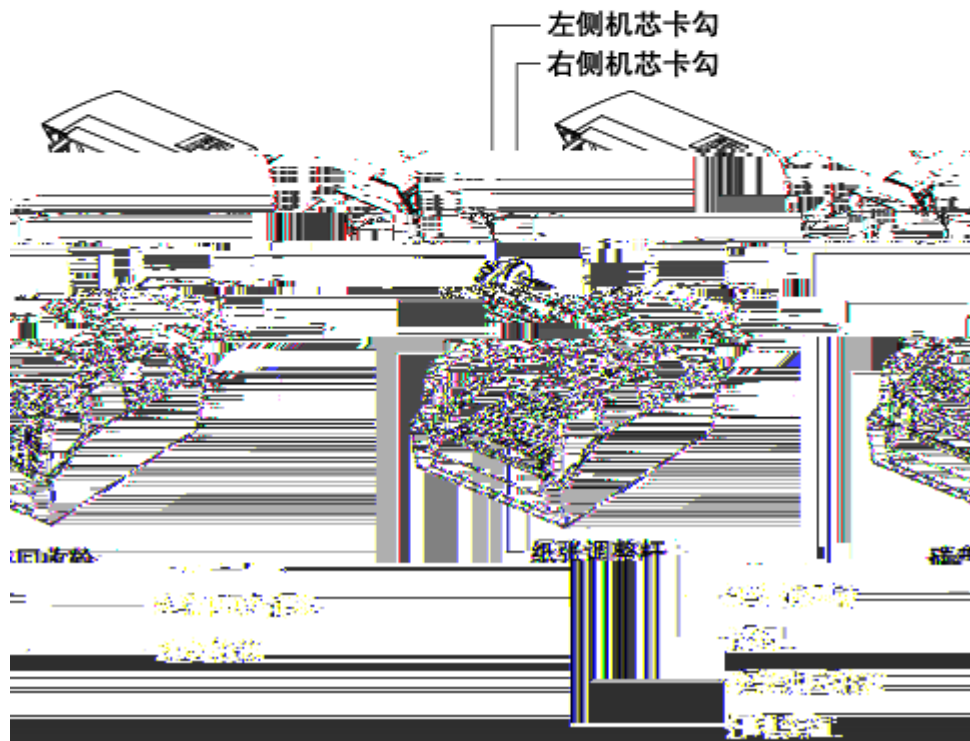
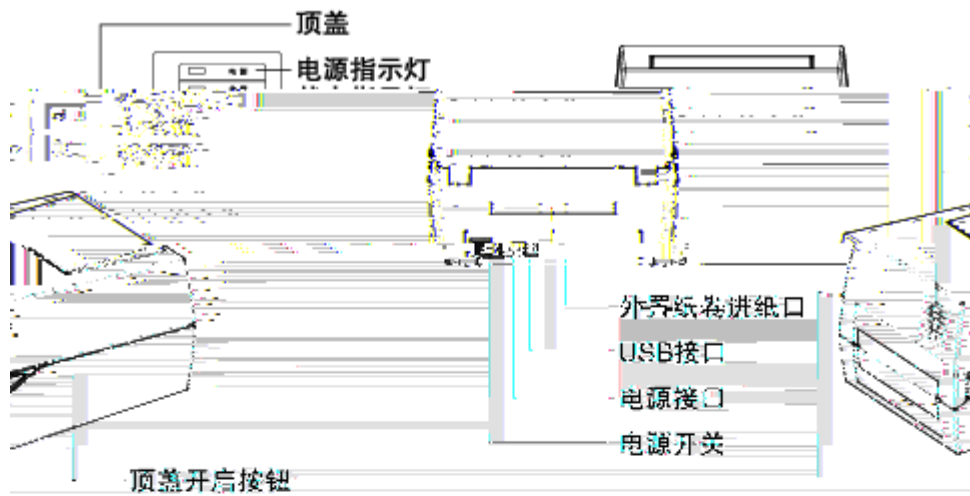


USB



1-1

) 单



-

(/)

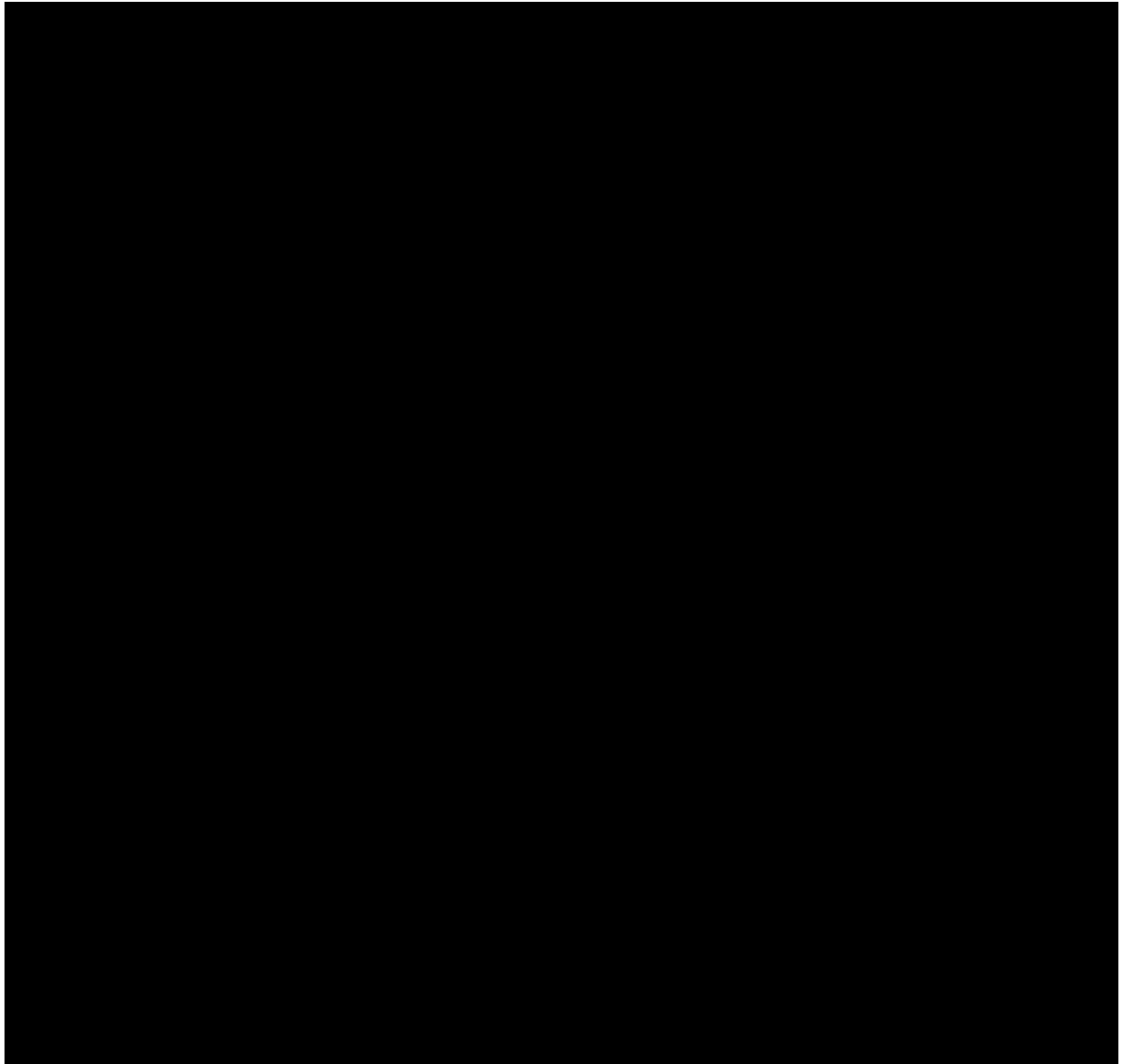
- ㊦

DL-820T

-

-

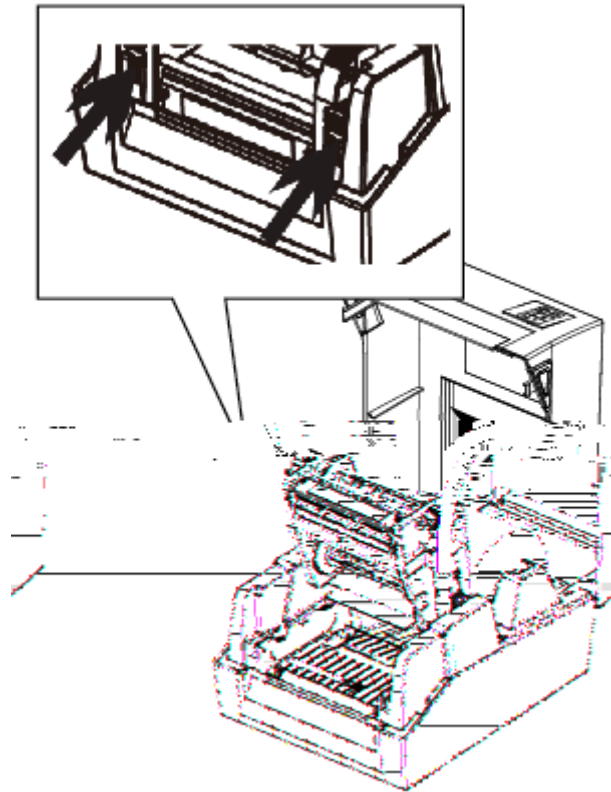
)



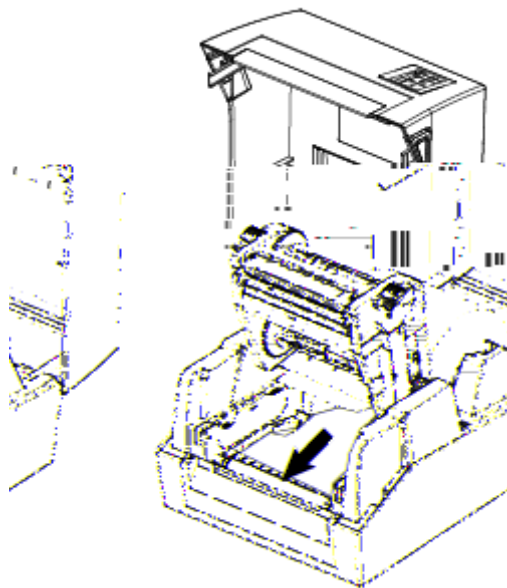
		/
		203 / (8 /)
		102 /
		108 .
		15 - 300
		32 RISC CPU
	RAM	2MB
		2MB
		, , , ,
		, ,Tag stock,
		0.79 (20) 4.65 (118)
		0.003 (80) 0.007 (180)
		5 (127)
		1 (25.4),1.5 (38),3 (76.2)
		, ,
		1.33 (33.8) 4.33 (110)
		984 (300)
		1 (25.4)
		TSPL
		Bartender UltraLite
		Windows 2000,XP,Vista7,8,10
		8, 12, 16, 24, 32 , OCR A & B
		90 , 180 , 270 10
		CG Triumvirate
		DOS437,720,737,755,775,850,852,855,856,857,858,860,862,863,864,865,866, Windows 1250,1251,1252,1253,1254,1255,1256,1257,1258 ISO8859-1,-2,-3,-4,-5,-6,-8,-9,-15 DBCS 932 (JIS), 936(GBK), 949 (Koran), 950(BIG5)

		Code 39, Code 93, Code 128UCC, Code 128 subset A, B, C, Codabar, Interleave 2 of 5, EAN-8, EAN-13, EAN-128, UPC-A, UPC-E, EAN and UPC 2 (5) digits add-on, MSI, PLESSEY, POSTNET, RSS-Stacked, GS1 DataBar, Code 11
		PDF417, Maxicode, DataMatrix, QR Code, Aztec
		USB
		LED : , :
		: 100-240 , 50/60 , : 24 /2 , 5
		41 (5)-104 (40) 30%-85%,()
		-4 (-20)-122 (50) 10%-90%()
	(* *)	292*189.25*242.09mm
		2.60kg()
		8
		FCC,CE

3.1.1.3

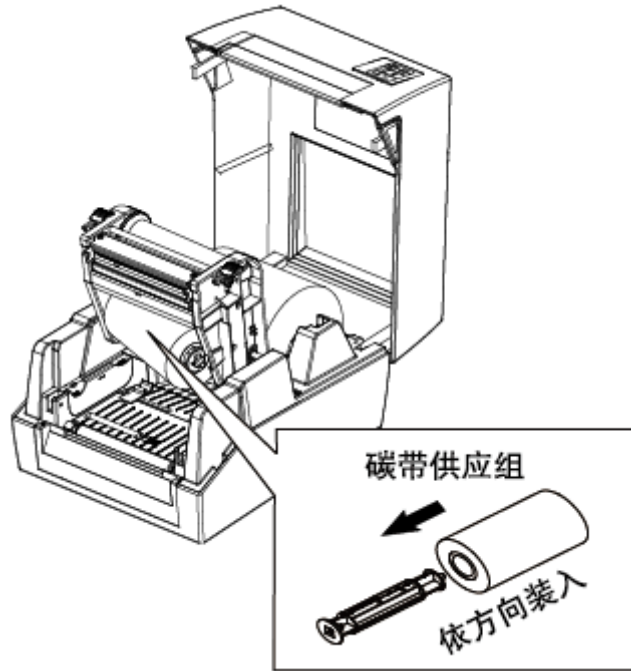


3.1.1.4



)

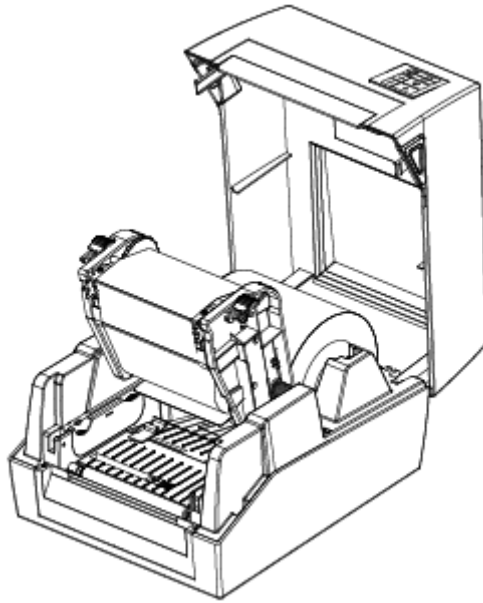
3.1.2.1



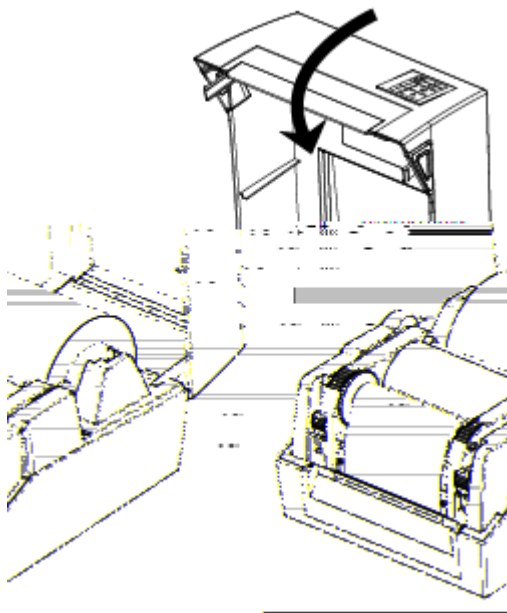
3.1.2.2

3.1.2.3

2~3

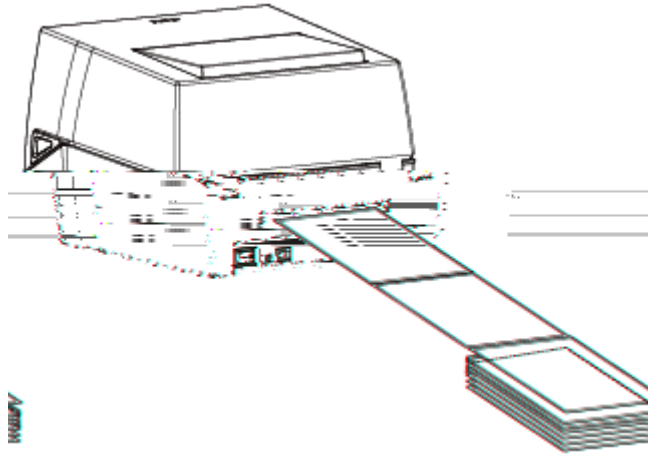


3.1.2.4

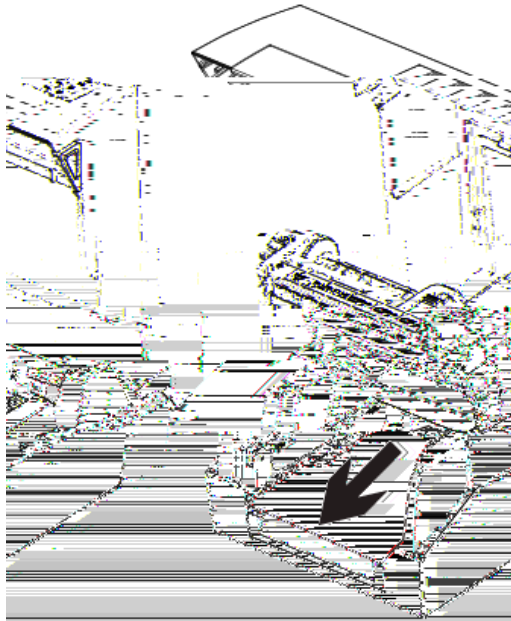


)

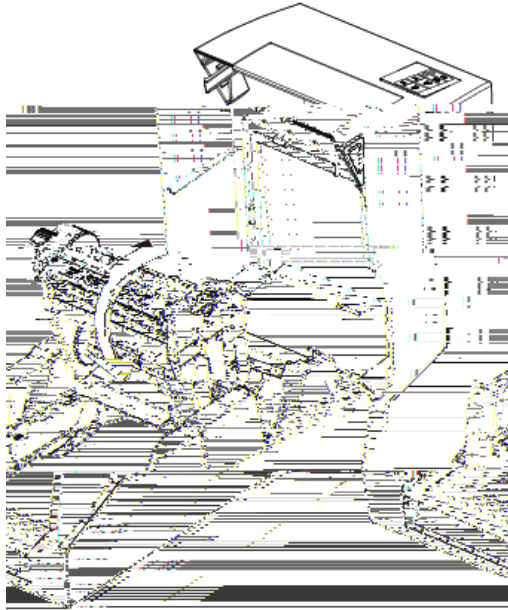
3.1.3.1



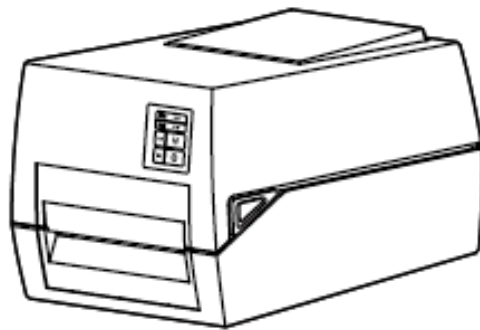
3.1.3.2



3.1.3.3



3.1.3.4

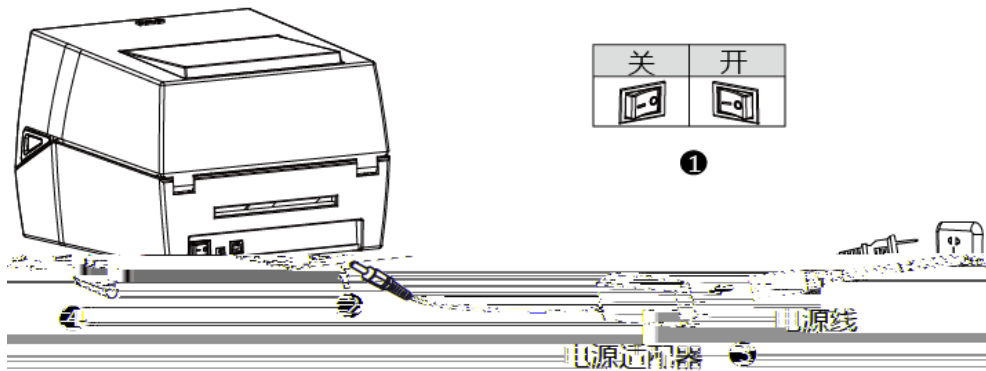


1. (O)

2.

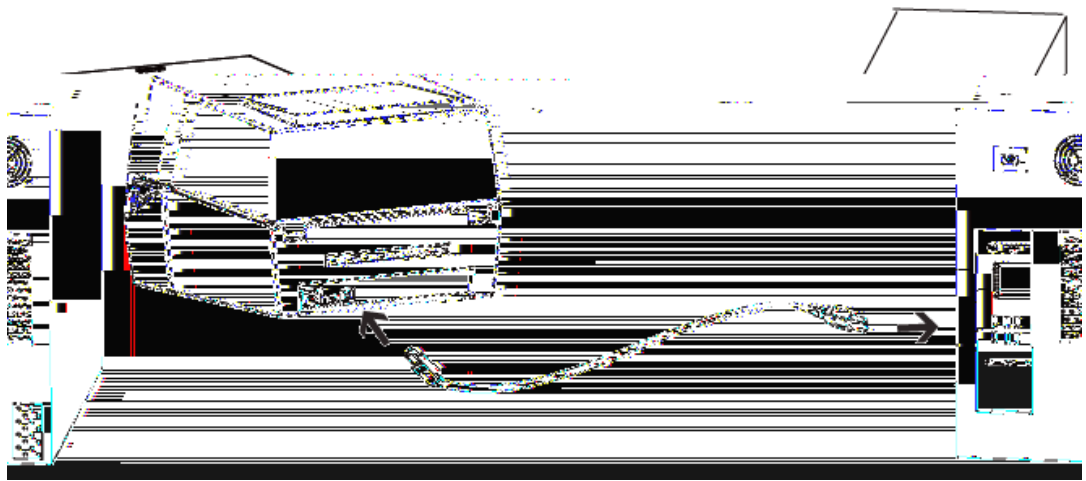
3.

4.



:

--USB B-Type

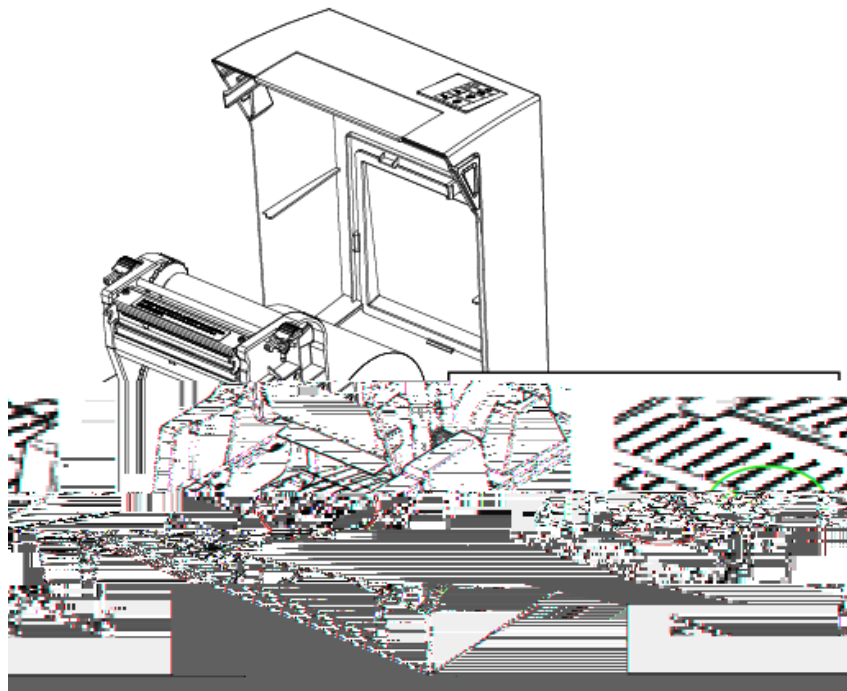


1) O

2

-- USB USB B-Type

3.4



3.5 位

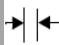


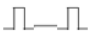





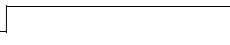

) o !

24V± 10%

!

3-1

!

1

Feed

2

Feed

MCU



3 Feed Power 2 Feed ,

,! !

3.6

.)

" 0"

" 1"

.

1

Feed

2

Feed

MCU

3 Feed Power 2 Feed

.



1

2

3 , 2

;



2

□

单

□ 单

单

. 单

.) 单

1)

2)

3)

. a o 单

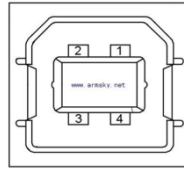
1) Windows

Windows

2) Windows " "

3) Windows " "

■ M :



4-1

1	VBUS
2	D-
3	D+
4	GND

单

1

2

2~3

3

4

) 单

1

2

1 2

1

2

3

4

1 2

1: 侦 刚

1

	Pb	Hg	Cd	Cr VI	PBB	PBDE
	X	O	O	O	O	O
	X	O	O	O	O	O
	X	O	O	O	O	O
	X	O	O	O	O	O
	X	O	O	O	O	O
	X	O	O	O	O	O
	X	O	O	O	O	O
	X	O	O	O	O	O
	X	O	O	O	O	O
	X	O	O	O	O	O
	X	O	O	O	O	O
	X	O	O	O	O	O
	X	O	O	O	O	O
O	SJ/T 11363-2006					
X	SJ/T 11363-2006					

2

